

# Kvaser Cable HD26-4xM12 Splitter



EAN: 73-30130-01412-1

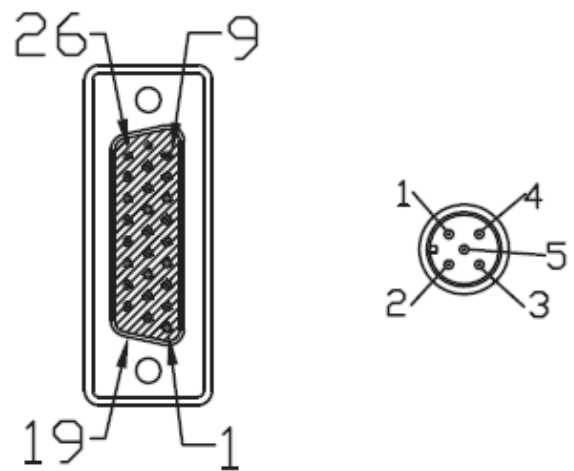


## ABOUT

The Kvaser Cable HD26-4xM12 Splitter can be used with several of Kvaser's four channel products.

This 0.3 m (approx. 0.98 ft) long splitter has a standard 26 pin HD D-SUB connector at one end, and four 5 pin M12 connectors (A-coded) at the other.

TECHNICAL AND MATERIAL DATA	
# of can channels	4
Certifications	CE, RoHS
Connector	HD-26S M12-5P, A-coded
Length	300 mm
Material	Polyurethane
Operating Temperature Range	-40 °C to +85 °C
Weight	100 g



### Warranty

2-year warranty. See our General Conditions and Policies for details.

### Support

Free support for all products by contacting [support@kvaser.com](mailto:support@kvaser.com).

Get in touch: +46 31 886344

[sales@kvaser.com](mailto:sales@kvaser.com)

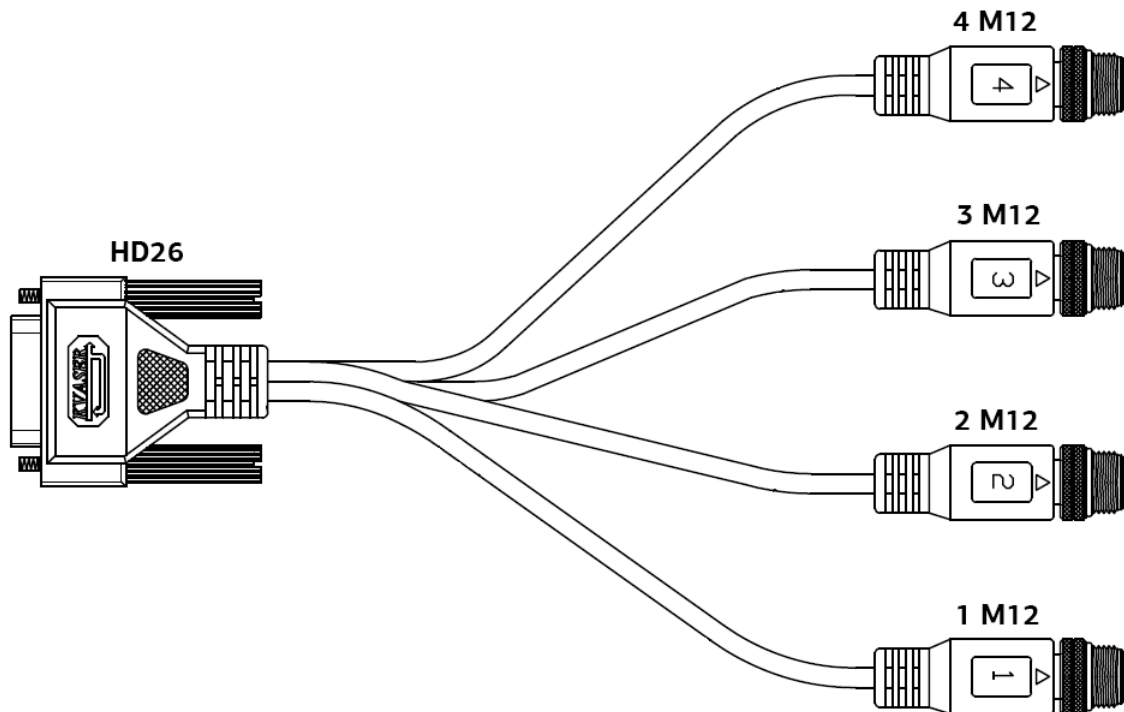
Kvaser AB, Sweden

© 2023 Kvaser. All rights reserved.  
Ref. No: 98272-7 2023-06-27

# Kvaser Cable HD26-4xM12 Splitter



EAN: 73-30130-01412-1



HD26	1 M12	2 M12	3 M12	4 M12	Function
1	5				CANL 1
2		5			CANL 2
3			5		CANL 3
4				5	CANL 4
11	4				CANH 1
12		4			CANH 2
13			4		CANH 3
14				4	CANH 4
19	3				GND 1
20		3			GND 2
21			3		GND 3
22				3	GND 4
SHELL	SHELL+1	SHELL+1	SHELL+1	SHELL+1	Shield

Get in touch: +46 31 886344

[sales@kvaser.com](mailto:sales@kvaser.com)

Kvaser AB, Sweden

© 2023 Kvaser. All rights reserved.  
Ref. No: 98272-7 2023-06-27