

Kvaser M12 Dsub9 Adapter 30 cm



EAN: 73-30130-01490-9

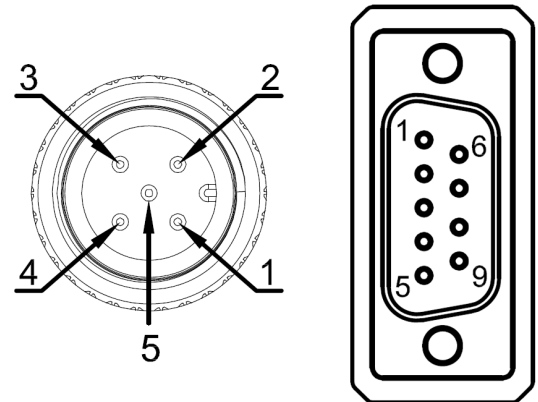


ABOUT

With a standard 9-pin Dsub at one end and a NMEA compatible 5-pin connector at the other, this 30 cm cable connects the Kvaser Leaf v3 or any CAN interface to equipment using the NMEA compatible connector, typically a marine electronics system. Kvaser's adapter cables have a high quality, ruggedised construction that meet the IP67 standard for water and dust ingress.

TECHNICAL AND MATERIAL DATA

# of can channels	1
Certifications	CE, RoHS
Connector	M12 5-pin A-code Dsub9
Length	300 mm
Operating Temperature Range	-40 °C to +85 °C
Strain Relief	Reinforced
Weight	52 g



5-pos M12	Signal Name	Dsub9
3	GND	3
2	V+	9
4	CAN_H	7
5	CAN_L	2
1	SHIELD	5+Shell

Warranty

2-year warranty. See our General Conditions and Policies for details.

Support

Free support for all products by contacting support@kvaser.com.

Get in touch: ☎ +46 31 886344

✉ sales@kvaser.com

📍 Kvaser AB, Sweden

© 2023 Kvaser. All rights reserved.
Ref. No: 98286-4 2023-08-25